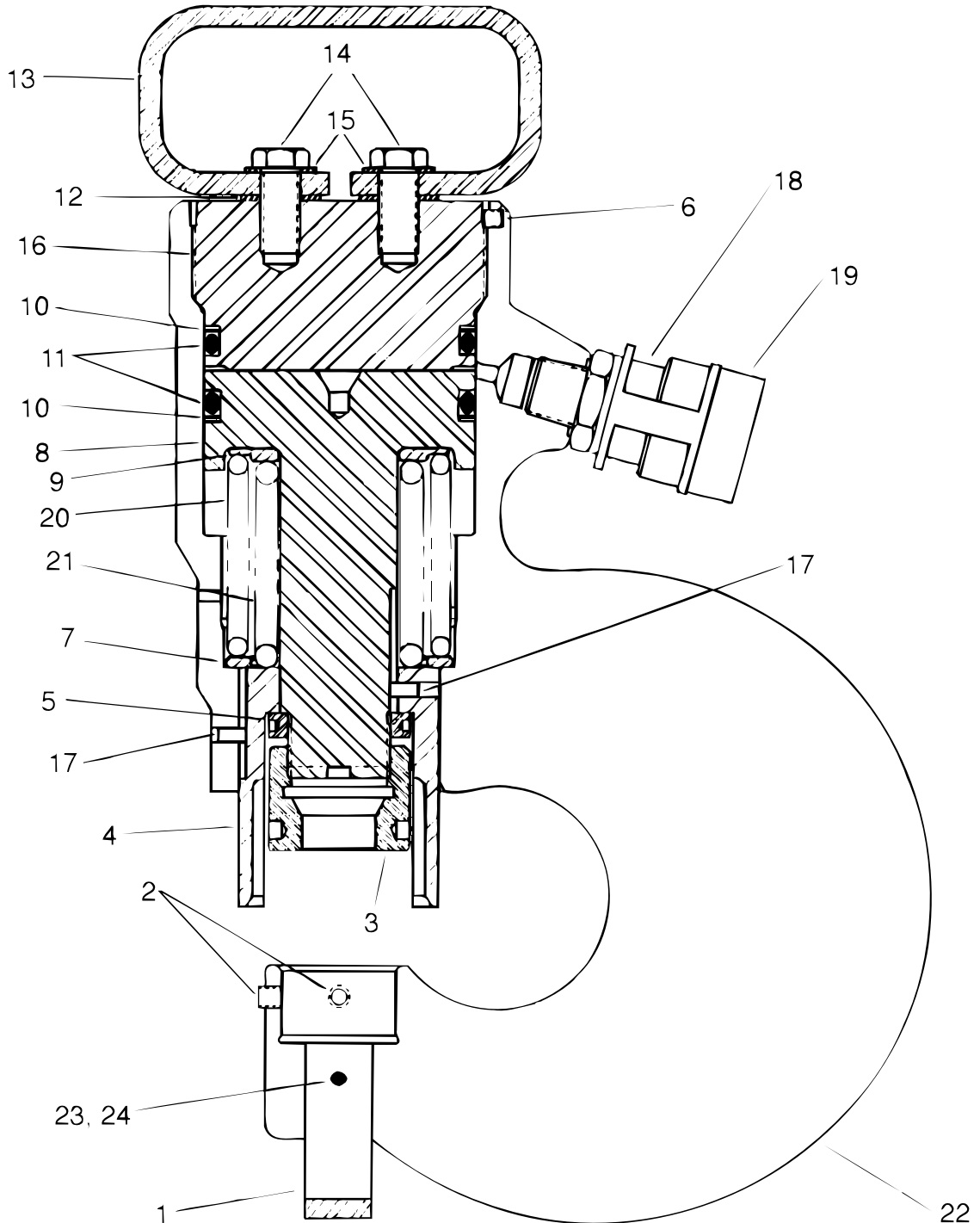




Repair Parts Sheet

SP-3500 35 Ton Hydraulic Punch

GB ELECTRICAL CANNOT BE RESPONSIBLE FOR DAMAGE OR INJURY CAUSED BY UNSAFE USE, MAINTENANCE OR APPLICATION OF ITS PRODUCTS. Please contact GB ELECTRICAL for guidance when you are in doubt as to the proper safety precautions to be taken in designing and setting up your particular application. To protect your warranty use only GB/Enerpac hydraulic oil.



PARTS LIST
Serial Numbers Beginning with "O"

Item No.	Part Number	No. Req'd	Description
1	DA3147.900	1	Bracket Weldment
2	* 5/16"-18 X .25" lg.	2	Set Screw
3	DA3141.234	1	Coupling Nut
4	DA3140.689	1	Guard
5	DA3142.749	1	Lock Ring
6	* #10-32 X .25" lg.	1	Set Screw
7	DA3139.108	1	Washer
8	DA3137.040	1	Plunger
9	DA3138.108	1	Washer
10	* B1334.565	2	Back-up Washer
11	* B1334.803	2	O-Ring
12	7/16" Flat Washer	2	Washer
13	DA3135.070	1	Handle
14	3/8"-16 X .75" lg.	2	Hex Head Cap Screw
15	3/8" Lock Washer	2	Lock Washer
16	DA3136.020	1	End Cap
17	* DA3836.027	2	Set Screw
18	CR400	1	Coupler
19	CD411	1	Dust Cap
20	DA3145.110	1	Comp. Spring
21	DA3146.110	1	Comp. Spring
22	-----	1	Base (not sold as Service Part)
23	#10-24 X .625" lg.	2	Socket Head Screw
24	#10 Lock Washer	2	Lock Washer
25	* CU765.026	2	Warning Decal
26	SPK-10	1	Tool Kit
27	DA3619.900SR	1	Metal Case
28	* DA3601.026	1	Name Plate Decal (not shown)

*** Indicates items included in, and available only as part of, Repair Kit SP-35K**

REPAIR AND SERVICE INSTRUCTIONS: For repair service and parts contact your nearest GB ELECTRICAL Service Center. The GB ELECTRICAL Service Center will provide complete and prompt service on all GB ELECTRICAL products.

<p>PARTS AND SERVICE: For quality workmanship and genuine GB ELECTRICAL parts, select an Authorized GB Service Center for your repair needs. Only repairs performed by an Authorized Service Center displaying the official GB Authorized sign are backed with full factory warranty. Contact GB Electrical (414) 352-4160 for the name of the nearest GB Authorized Service Center.</p>	<p>WARRANTY: GB ELECTRICAL, INC. warrants its product against defects in workmanship and materials for 1 year from date of delivery to user. Chain is not warranted. Warranty does not cover ordinary wear and tear, abuse, misuse, overloading, altered products or use of improper fluid.</p>	<p>WARRANTY RETURN PROCEDURE: When question of warranty claim arises, send the unit to the nearest GB Authorized Service Center for inspection, transportation prepaid. Furnish evidence of purchase date. If the claim comes under the terms of our warranty the Authorized Service Center will REPAIR OR REPLACE PARTS AFFECTED and return the unit prepaid.</p>
---	--	---



GB Electrical, Inc.
An Applied Power Company

6101 N. Baker Road, Milwaukee, WI 53209
Phone: (414) 352-4160 FAX (414) 352-2377